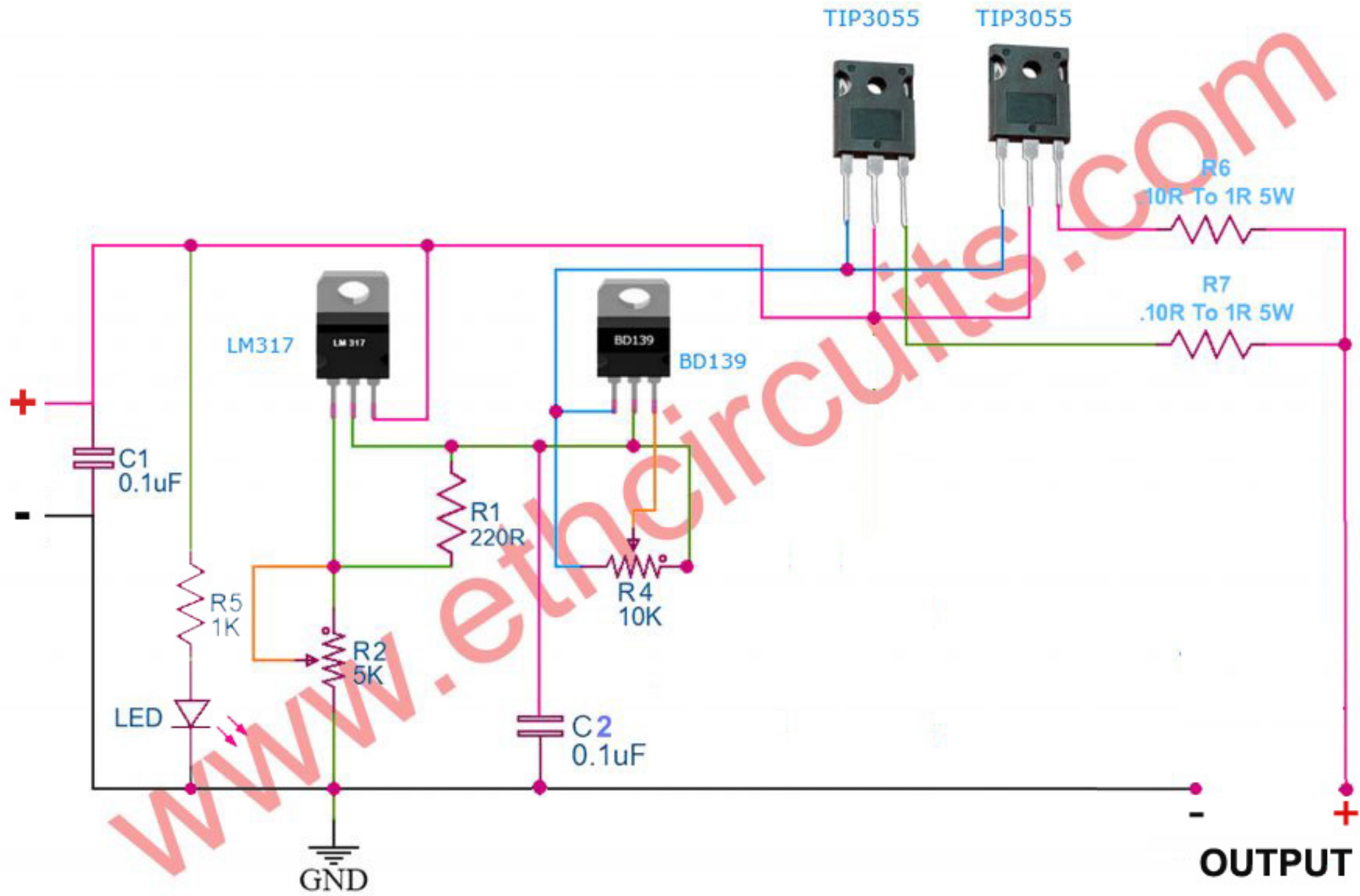


DC INPUT
Max 30V 10Amp



OUTPUT

